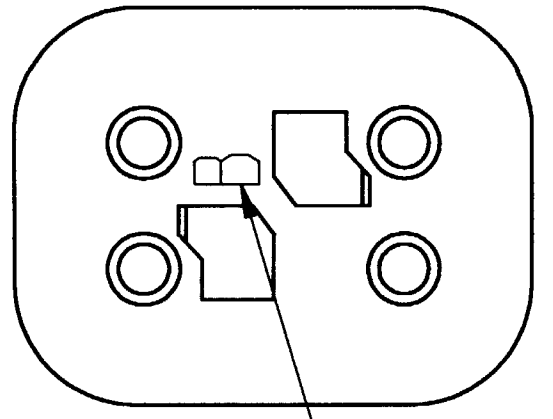
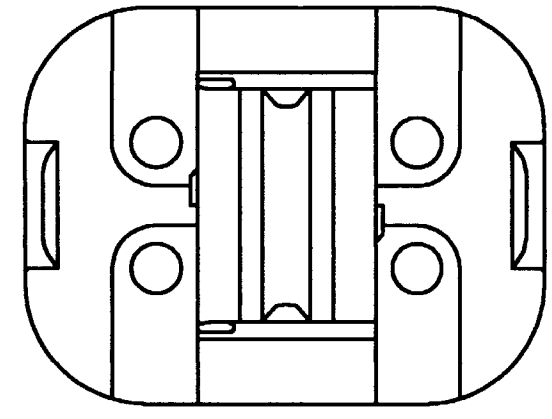
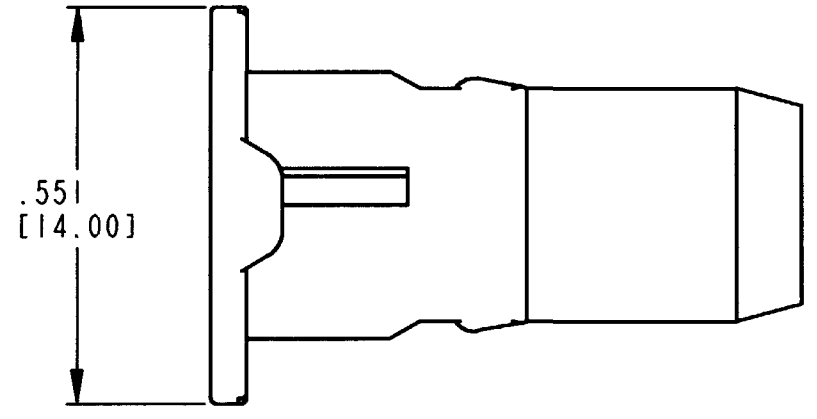
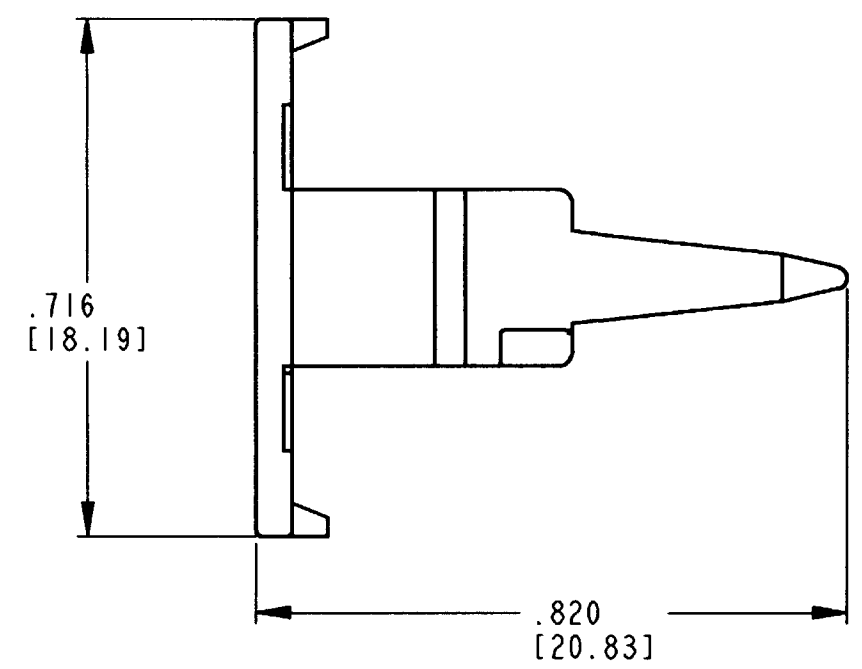


3D VIEW



WEDGE KEY IDENTIFICATION



REV
NC **W4SB-P012**

REVISIONS			
SYM	DESCRIPTION	DATE	APPROVED
NC	NEW RELEASE PER E.O. P16276	9-8-99	RDR

- NOTES:
1. DIMENSIONS ARE IN INCHES [MILLIMETERS].
 2. DIMENSIONS ARE $\pm .025$ [0.63] UNLESS OTHERWISE SPECIFIED.
 3. THIS WEDGE LOCK IS UTILIZED BY DT06-4S-P012. WEDGE DESIGNED TO MATE WITH RECEPTACLE WEDGE W4PB.

SIGNATURE & DATE	
DR	S. THEIS 8/27/99
CHK	<i>[Signature]</i> SEP-7-99
PE	<i>[Signature]</i> 9-1-99
APPD	R. Red 9-8-99
SCALE	4:1 WT

WEDGE LOCK
 -B- KEY POSITION
 P012 MOD
 COLOR: BLACK
 DT SERIES
 ENVELOPE

CP	MATL. CODE
The Deutch Company DEUTSCH I.P.D. 3850 INDUSTRIAL AVE. HEMET, CALIF. 92545	
B	W4SB-P012
DWG SIZE	CODE 11139 SHEET 1 OF 1